

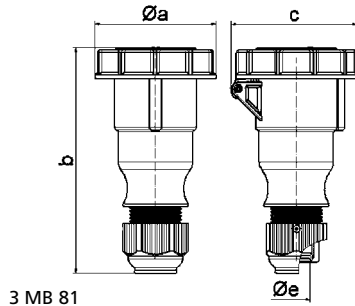
## Connector with Multi-Grip

- Screw terminals
- Nickel plated contacts
- One-piece enclosure
- Kontex contact
- Special gland, simultaneous cable gland and seal
- Protection degree IP67

Ampere	Poles	110V 50-60 Hz			230V 50-60 Hz			400V 50-60 Hz			500V 50-60 Hz			100-300Hz > 50V			301-500Hz > 50V			Qty	g each
		3pol	4pol	5pol	3pol	4pol	5pol	3pol	4pol	5pol	3pol	4pol	5pol	3pol	4pol	5pol	3pol	4pol	5pol		
16	3	310331			310333			310334											10	175	
16	4		310338		310339			310340											10	200	
16	5		310344		310345			310346											10	220	
32	3	310350			310351			310352											10	305	
32	4		310356		310357			310358											10	315	
32	5		310362		310363			310364											10	360	



Fig.: Type 310346



3 MB 81

Ampere	16	16	16	32	32	32
Poles	3	4	5	3	4	5
a ø	70.5	78.0	86.5	94.0	94.0	101.5
b	154.0	155.0	160.0	190.0	190.0	190.0
c	77.0	83.0	93.0	99.0	99.0	107.0
e ø	18.0	18.0	18.0	23.0	23.0	23.0
Cond. mm² min	1	1	1	2.5	2.5	2.5
Cond. mm² max	2.5	2.5	2.5	6	6	6

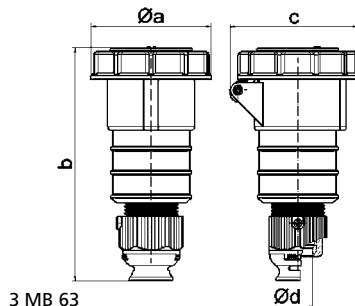
## Connector TE-Plus with Multi-Grip

- Screwless terminals
- High-temperature-resistant contact carrier
- Kontex contact
- Nickel plated contacts
- Special gland, simultaneous cable gland and seal
- Protection degree IP67

Ampere	Poles	110V 50-60 Hz			230V 50-60 Hz			400V 50-60 Hz			500V 50-60 Hz			100-300Hz > 50V			301-500Hz > 50V			Qty	g each
		3pol	4pol	5pol	3pol	4pol	5pol	3pol	4pol	5pol	3pol	4pol	5pol	3pol	4pol	5pol					
16	3	31298			31240			31299			31457			310554			310417		10	175	
16	4		31301		31302			31241			31242			31303			31304		10	205	
16	5		31305		31306			31243			31501						31409		10	245	
32	3	31307			31244			31308											10	335	
32	4		31309		31310			31245			31246		31311				31312		10	350	
32	5		31313		31314			31247			31207						310415		10	410	



Fig.: Type 31243



3 MB 63

Ampere	16	16	16	32	32	32
Poles	3	4	5	3	4	5
a ø	70.5	78.0	86.5	94.0	94.0	101.5
b	161.0	161.0	168.0	196.0	196.0	200.0
c	77.0	83.0	93.0	99.0	99.0	107.0
d ø	18.0	18.0	21.0	23.0	23.0	27.0
Cond. mm² min	1	1	1	2.5	2.5	2.5
Cond. mm² max	2.5	2.5	2.5	6	6	6

## Connector TE-Plus with Multi-Grip

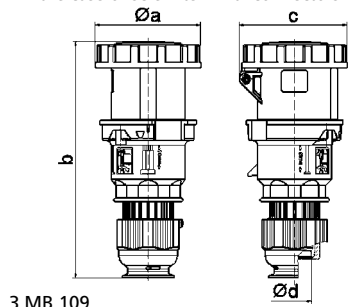
- High-temperature-resistant contact carrier
- Kontex contact
- Nickel plated contacts
- Special gland, simultaneous cable gland and seal
- Protection degree IP67

Ampere	Poles	110V 50-60 Hz			230V 50-60 Hz			400V 50-60 Hz			500V 50-60 Hz			100-300Hz > 50V			301-500Hz > 50V			Qty	g each
		3pol	4pol	5pol	3pol	4pol	5pol	3pol	4pol	5pol	3pol	4pol	5pol	3pol	4pol	5pol					
63	4	<b>QUICK CONNECT®</b>																	5	800	
63	5							310491			310493								5	855	
Screw terminal:																					
63	3	3180			3181			3182			31724			31605					5	665	
63	4		3183		3184			3185			3186			31504			31251		5	720	
63	5		3187		3188			3124			31082			31505			31183		5	720	

In the case of screw terminal connectors with PILOT, please add -P to the end of the order number.



Fig.: Type 310495



3 MB 109

Ampere	63	63	63
Poles	3	4	5
a ø	110.0	110.0	110.0
b	251.0	251.0	251.0
c	113.0	113.0	113.0
d ø	36.0	36.0	36.0
Cond. mm² min	6	6	6
Cond. mm² max	16	16	16